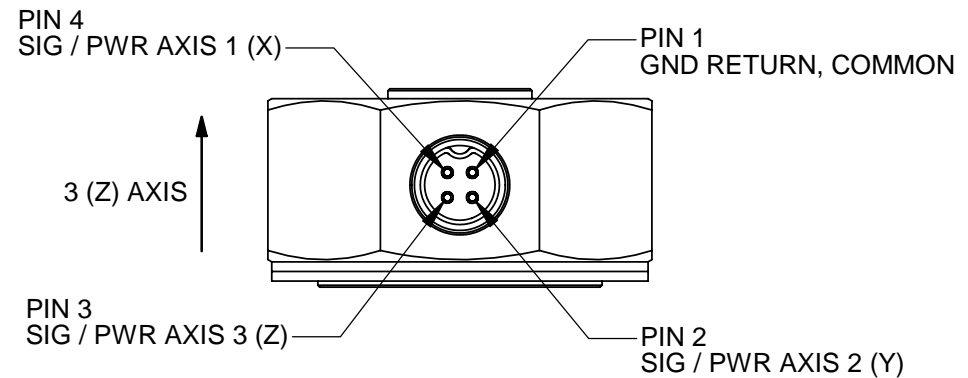
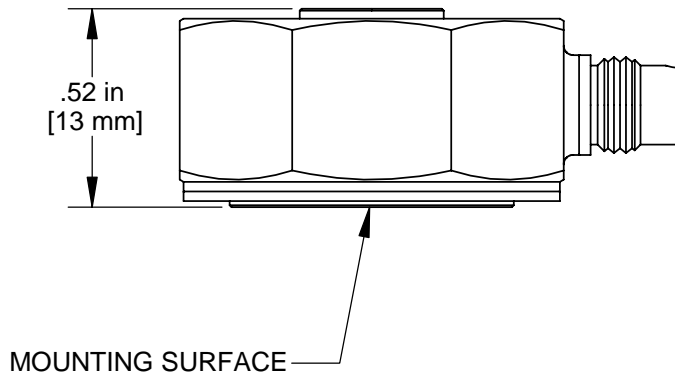


ACTUAL SIZE



5. MOUNTING SCREW: #8 OR M4
4. WEIGHT: 28 GRAMS
3. XX = CABLE LENGTH IN FEET
2. + SIGNS INDICATE SENSITIVE AXIS AND DIRECTION OF INPUT ACCELERATION FOR POSITIVE GOING OUTPUT SIGNAL.
1. HOUSING MATERIAL: TITANIUM ALLOY

EXCEPT AS OTHERWISE NOTED		
ALL DIMENSIONS IN INCHES TOLERANCE: XXX = ± .01 .XX = ± .01		
SURFACE FINISH EXCEPT AS NOTED		
BREAK EDGES TO DEBURR RADIUS OR CHAMFER		
△ THESE DIAS	◎ TO	T.I.R
FILLETS:	MAX R	

<b>DYTRAN</b>		CHATSWORTH, CA	
INSTRUMENTS, INC.			
SCALE	2:1	REV	A
DATE	10/25/2003	PART NO.	MODEL 3233A
DRAWN	PML	CHECKED	
APPROVED		NEXT ASSEMBLY	
TITLE		USED ON	
<b>OUTLINE / INSTALLATION DRAWING</b>		3233A	
<b>MODEL 3233A</b>		DWG NO.	
		127-3233A	
		SHEET 1 OF 1	



## SPECIFICATIONS, MODEL 3233A TRIAXIAL ACCELEROMETER

SPECIFICATIONS	VALUE	UNITS
<b>PHYSICAL</b>		
WEIGHT	28	grams
SIZE (HEIGHT x WIDTH x DEPTH)	1.0 x 1.3 x .52 (33 x 25 x 13)	inches mm
MOUNTING	8-32 or M4 Screw	
CONNECTOR	4-PIN [1]	
MATERIAL, CASE/CONNECTOR	TITANIUM ALLOY	
<b>PERFORMANCE</b>		
SENSITIVITY, $\pm 10\%$ [2]	1000	mV/g
RANGE, FULL SCALE (each axis)	$\pm 5$	g pk
FREQUENCY RESPONSE, (each axis) $\pm 10\%$	.4 to 3000	Hz
ELEMENT NATURAL FREQUENCY, NOM.	20	kHz
EQUIVALENT ELECTRICAL NOISE	.0001	g rms
LINEARITY [3]	1	%F.S.
TRANSVERSE SENSITIVITY, MAX,	5	%
SIGNAL POLARITY	POSITIVE FOR ACCELERATION IN DIRECTION OF ARROWS ON CASE	
<b>ENVIRONMENTAL</b>		
MAXIMUM VIBRATION	$\pm 500$	g
MAXIMUM SHOCK	5000	g
TEMPERATURE RANGE	-60 to +250	°F
ENVIRONMENTAL SEAL	HERMETIC	
COEFFICIENT OF THERMAL SENSITIVITY	.03	%/°F
<b>ENVIRONMENTAL</b>		
SUPPLY CURRENT RANGE, (each axis) [4]	2 to 20	mA
COMPLIANCE (SUPPLY) VOLTAGE RANGE (each axis)	+18 to +30	VDC
OUTPUT IMPEDANCE, TYP.	100	OHMS
OUTPUT BIAS VOLTAGE, NOM.	+10	VDC
DISCHARGE TIME CONSTANT, NOM.	1	SEC
GROUND ISOLATION	CASE GROUNDED TO SIGNAL GROUND CASE ISOLATED FROM MOUNTING SURFACE	

[1] Connector mates with Dytran cable assy. Model 6811Axx. (xx = length in feet)

[2] Reference sensitivity measured at 100 Hz, 1 g rms per ISA RP 37.2

[3] Linearity is % of specified full scale (or any lesser full scale range), zero-based best-fit straight-line method.

[4] Power only with Dytran LIVM power unit or other Dytran-compatible constant current type power unit. If power is applied without current limiting protection, the internal amplifier will be immediately destroyed.

SIGMATEST Messtechnik  
 Industriepark 312  
 D-78244 Gottmadingen  
 Tel. +49.7731.977001  
 Fax +49.7731.977003  
 email info@sigmatest.net  
 www.sigmatest.net